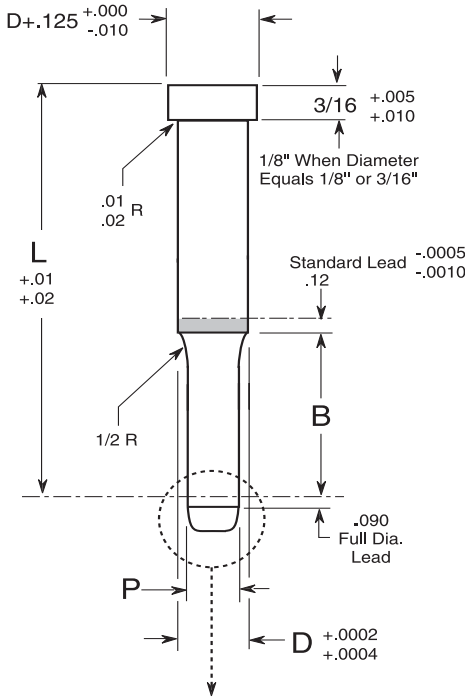


PUNZONES PILOTO

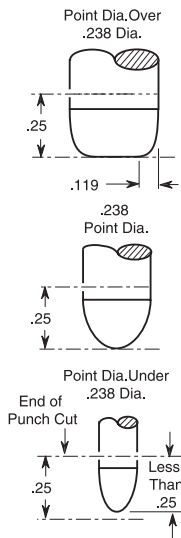
M-2: Rc 60/63 • A-2: Rc 60/62 • D-2, PM-M4, PM-10V: Rc 61/63

Vér página 16 para
LISTA DE PRECIOS

Estilo PPP



Parabolic Points at Various Diameters



Estilo PPP	D DÍAM.	L = Longitud estándar (No incluye piloto)										Longitud punta B	Diam. de la punta				
		1 1/4		1 1/2		1 3/4		2		2 1/4			2 1/2		2 3/4		3
12	1/8	1 1/4	1 1/2	1 3/4	2	2 1/4	2 1/2	2 3/4	3			1/2	.061	.125			
		1 1/2	1 3/4	2	2 1/4	2 1/2	2 3/4	3			3/4	.061	.125				
		1 3/4	2	2 1/4	2 1/2	2 3/4	3				1	.061	.125				
		2	2 1/4	2 1/2	2 3/4	3					1 1/4	.092	.125				
18	3/16	1 1/4	1 1/2	1 3/4	2	2 1/4	2 1/2	2 3/4	3	3 1/4	3 1/2	1/2	.061	.1875			
		1 1/2	1 3/4	2	2 1/4	2 1/2	2 3/4	3	3 1/4	3 1/2		3/4	.061	.1875			
		1 3/4	2	2 1/4	2 1/2	2 3/4	3	3 1/4	3 1/2			1	.061	.1875			
		2	2 1/4	2 1/2	2 3/4	3	3 1/4	3 1/2				1 1/4	.092	.1875			
		2 1/4	2 1/2	2 3/4	3	3 1/4	3 1/2					1 1/2	.124	.1875			
25	1/4	1 1/4	1 1/2	1 3/4	2	2 1/4	2 1/2	2 3/4	3	3 1/4	3 1/2	1/2	.061	.250			
		1 1/2	1 3/4	2	2 1/4	2 1/2	2 3/4	3	3 1/4	3 1/2		3/4	.061	.250			
		1 3/4	2	2 1/4	2 1/2	2 3/4	3	3 1/4	3 1/2			1	.061	.250			
		2	2 1/4	2 1/2	2 3/4	3	3 1/4	3 1/2				1 1/4	.092	.250			
31	5/16	1 1/4	1 1/2	1 3/4	2	2 1/4	2 1/2	2 3/4	3	3 1/4	3 1/2	3 3/4	1/2	.092	.3125		
		1 1/2	1 3/4	2	2 1/4	2 1/2	2 3/4	3	3 1/4	3 1/2	3 3/4		3/4	.092	.3125		
		1 3/4	2	2 1/4	2 1/2	2 3/4	3	3 1/4	3 1/2	3 3/4			1	.092	.3125		
		2	2 1/4	2 1/2	2 3/4	3	3 1/4	3 1/2	3 3/4				1 1/4	.092	.3125		
37	3/8	1 1/4	1 1/2	1 3/4	2	2 1/4	2 1/2	2 3/4	3	3 1/4	3 1/2	3 3/4	1/2	.124	.375		
		1 1/2	1 3/4	2	2 1/4	2 1/2	2 3/4	3	3 1/4	3 1/2	3 3/4		3/4	.124	.375		
		1 3/4	2	2 1/4	2 1/2	2 3/4	3	3 1/4	3 1/2	3 3/4			1	.124	.375		
		2	2 1/4	2 1/2	2 3/4	3	3 1/4	3 1/2	3 3/4				1 1/4	.124	.375		
43	7/16	1 1/2	1 3/4	2	2 1/4	2 1/2	2 3/4	3	3 1/4	3 1/2	3 3/4	3/4	.186	.4375			
		1 3/4	2	2 1/4	2 1/2	2 3/4	3	3 1/4	3 1/2	3 3/4		1	.186	.4375			
		2	2 1/4	2 1/2	2 3/4	3	3 1/4	3 1/2	3 3/4				1 1/4	.186	.4375		
		2 1/4	2 1/2	2 3/4	3	3 1/4	3 1/2	3 3/4					1 1/2	.186	.4375		
50	1/2	1 1/2	1 3/4	2	2 1/4	2 1/2	2 3/4	3	3 1/4	3 1/2	3 3/4	3/4	.224	.500			
		1 3/4	2	2 1/4	2 1/2	2 3/4	3	3 1/4	3 1/2	3 3/4		1	.224	.500			
		2	2 1/4	2 1/2	2 3/4	3	3 1/4	3 1/2	3 3/4				1 1/4	.224	.500		
		2 1/4	2 1/2	2 3/4	3	3 1/4	3 1/2	3 3/4					1 1/2	.224	.500		
62	5/8	1 1/2	1 3/4	2	2 1/4	2 1/2	2 3/4	3	3 1/4	3 1/2	3 3/4	3/4	.309	.625			
		1 3/4	2	2 1/4	2 1/2	2 3/4	3	3 1/4	3 1/2	3 3/4		1	.309	.625			
		2	2 1/4	2 1/2	2 3/4	3	3 1/4	3 1/2	3 3/4				1 1/4	.309	.625		
		2 1/4	2 1/2	2 3/4	3	3 1/4	3 1/2	3 3/4					1 1/2	.309	.625		
75	3/4	1 1/2	1 3/4	2	2 1/4	2 1/2	2 3/4	3	3 1/4	3 1/2	3 3/4	3/4	.389	.750			
		1 3/4	2	2 1/4	2 1/2	2 3/4	3	3 1/4	3 1/2	3 3/4		1	.389	.750			
		2	2 1/4	2 1/2	2 3/4	3	3 1/4	3 1/2	3 3/4				1 1/4	.389	.750		
		2 1/4	2 1/2	2 3/4	3	3 1/4	3 1/2	3 3/4					1 1/2	.389	.750		
100	1	1 1/2	1 3/4	2	2 1/4	2 1/2	2 3/4	3	3 1/4	3 1/2	3 3/4	3/4	.484	1.000			
		1 3/4	2	2 1/4	2 1/2	2 3/4	3	3 1/4	3 1/2	3 3/4		1	.484	1.000			
		2	2 1/4	2 1/2	2 3/4	3	3 1/4	3 1/2	3 3/4				1 1/4	.484	1.000		
		2 1/4	2 1/2	2 3/4	3	3 1/4	3 1/2	3 3/4					1 1/2	.484	1.000		

Como solicitar: EJEMPLO						
Estilo	Largo	Mat.	Pt. Diá.	Pt.	Tol.	Cant.
PPP-50	3 3/4"	M-2	.2718	Largo	#2	19

Tolerancia	Concentricidad	
	P a D	T.I.R.
#1 +.0002 -0	.0003	
#2 +.0005 -0	.0005	